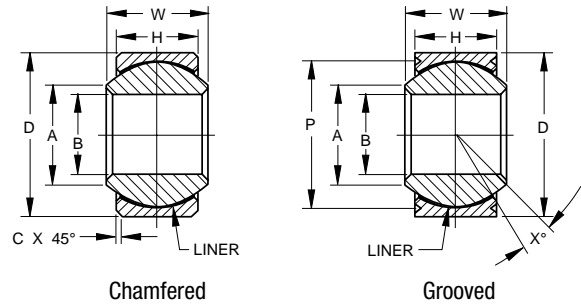


LIGHT WEIGHT ALUMINUM SELF-LUBRICATED SPHERICAL BEARING, NARROW

- Narrow series, self-lubricated
- Material
 - Outer ring: Aluminum alloy, heat-treated
 - Inner ring: Aluminum alloy, heat-treated, Sphere hard anodized
 - Liner: Fibriloid® qualified to AS81820



SPECIFICATIONS AND ORDERING INFORMATION

DIMENSIONS – TOLERANCES

Bearing Number	Bearing Number	B		D		H		W		A		C ⁽¹⁾		P ⁽²⁾ Groove Pitch Diameter		X°	Ref.
		+ .0000, - .0005 + .000, - .013	in. mm	+ .0000, - .0005 + .000, - .013	in. mm	± .005 ± .13	in. mm	+ .000, - .002 + .00, - .05	in. mm	Min.	in. mm	in. mm	in. mm	+ .000 in., - .008 in. + .00 mm, - .20mm			
Chamfered Part Numbers	Grooved Part Numbers																
03-713-03	03-715-03	.1900	4.826	.5625	14.288	.218	5.54	.281	7.14	.293	7.44	.010	.25	.500	12.70	10	
03-713-04	03-715-04	.2500	6.350	.6562	16.667	.250	6.35	.343	8.71	.364	9.25	.010	.25	.594	15.09	10	
03-713-05	03-715-05	.3125	7.938	.7500	19.050	.281	7.14	.375	9.52	.461	10.64	.010	.25	.660	16.76	10	
03-713-06	03-715-06	.3750	9.525	.8125	20.638	.312	7.92	.406	10.31	.475	12.06	.020	.51	.712	18.08	9	
03-713-07	03-715-07	.4375	11.112	.9062	23.017	.343	8.71	.437	11.10	.530	13.46	.020	.51	.806	20.47	8	
03-713-08	03-715-08	.5000	12.700	1.0000	25.400	.390	9.91	.500	12.70	.600	15.24	.020	.51	.876	22.25	8	
03-713-09	03-715-09	.5625	14.288	1.0937	27.780	.437	11.10	.562	14.27	.670	17.02	.020	.51	.970	24.64	8	
03-713-10	03-715-10	.6250	15.875	1.1875	30.162	.500	12.70	.625	15.88	.739	18.77	.020	.51	1.063	27.00	8	
03-713-12	03-715-12	.7500	19.050	1.4375	36.512	.593	15.06	.750	19.05	.920	23.37	.030	.76	1.313	33.35	8	
03-713-14	03-715-14	.8750	22.225	1.5625	39.688	.703	17.86	.875	22.22	.980	24.89	.030	.76	1.438	36.53	8	
03-713-16	03-715-16	1.0000	25.400	1.7500	44.450	.797	20.24	1.000	25.40	1.118	28.40	.030	.76	1.626	41.30	9	

⁽¹⁾Chamfered Type only.

⁽²⁾Grooved Type only. See page 17 for groove dimensions.

LOAD RATINGS

Bearing Number	Bearing Number	Oscillating Radial Load Rating ⁽¹⁾		Radial Limit Load Rating ⁽¹⁾		No Load Rotational Breakaway Torque		Weight Approx.	
		lbs.	N	lbs.	N	in.-lbs.	N-m	lbs.	kg
03-713-03	03-715-03	1500	6700	3050	13600	.25-5	.03-.56	0.005	0.002
03-713-04	03-715-04	2320	10400	4120	18400	.25-5	.03-.56	0.008	0.004
03-713-05	03-715-05	3200	14300	5700	25400	.25-8	.03-.90	0.011	0.005
03-713-06	03-715-06	3800	17000	6780	30200	.25-8	.03-.90	0.014	0.006
03-713-07	03-715-07	4800	21500	8360	37200	.25-8	.03-.90	0.018	0.008
03-713-08	03-715-08	6820	30400	11000	49000	.25-8	.03-.90	0.025	0.011
03-713-09	03-715-09	8800	39200	14100	63000	.25-8	.03-.90	0.033	0.015
03-713-10	03-715-10	10800	48000	18100	80500	.25-8	.03-.90	0.050	0.023
03-713-12	03-715-12	16800	75000	28500	127000	.25-8	.03-.90	0.080	0.036
03-713-14	03-715-14	22000	98000	35400	157500	.25-12	.03-1.4	0.100	0.045
03-713-16	03-715-16	29000	129000	46300	206000	.25-12	.03-1.4	0.140	0.063

⁽¹⁾Load ratings based on AS81820 with reduction for aluminum materials.