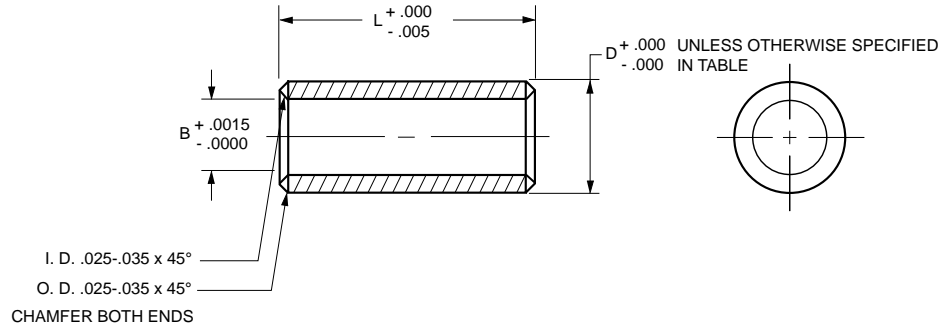


## NAS76 UNLINED STRAIGHT BUSHINGS

- Material options: Aluminum bronze, beryllium copper
- Finish options: Cadmium plating
- A final size (FS) option is available. Parts are manufactured to customer's required dimensions



## SPECIFICATIONS AND ORDERING INFORMATION

### DIMENSIONS – TOLERANCES

Part Number NAS76	B		D		Weight	
	+.0015, -.0000 +.038, -.000		+.000, -.0010 +.000, -.025		Approx. (Assume 1 in. Length)	
	in.	mm	in.	mm	lbs.	kg
NAS76A3-xxx	0.1900	4.826	*0.3136	7.965	0.0138	0.0062
NAS76A4-xxx	0.2500	6.350	*0.3761	9.553	0.0175	0.0079
NAS76A5-xxx	0.3125	7.938	*0.4386	11.140	0.0209	0.0095
NAS76A6-xxx	0.3750	9.525	**0.5013	12.733	0.0244	0.0111
NAS76A7-xxx	0.4375	11.113	**0.5638	14.321	0.0279	0.0127
NAS76A8-xxx	0.5000	12.700	***0.6265	15.913	0.0315	0.0143
NAS76A9-xxx	0.5625	14.288	0.6892	17.506	0.0350	0.0159
NAS76A10-xxx	0.6250	15.875	0.8142	20.681	0.0605	0.0274
NAS76A11-xxx	0.6875	17.463	0.8767	22.268	0.0657	0.0298
NAS76A12-xxx	0.7500	19.050	0.9393	23.858	0.0710	0.0322
NAS76A14-xxx	0.8750	22.225	1.0648	27.046	0.0818	0.0371
NAS76A16-xxx	1.0000	25.400	1.1898	30.221	0.0923	0.0419
NAS76A18-xxx	1.1250	28.575	1.3148	33.396	0.1028	0.0466
NAS76A20-xxx	1.2500	31.750	1.4399	36.573	0.1134	0.0514
			*+.000, -.0005 +.000, -.013			
			**+.000, -.0007 +.000, -.018			
			***+.000, -.0008 +.000, -.020			

Available journal material options:  
 A=Aluminum bronze alloy 642 per AMS 4640 (shown above)  
 B=Beryllium copper per QQ-C-530  
 xxx: Length Code= First Digit in whole inches.  
 Last two digits in 32nds of an inch.  
 (ex: -.025 = .7813 in.)

JOURNAL BEARINGS