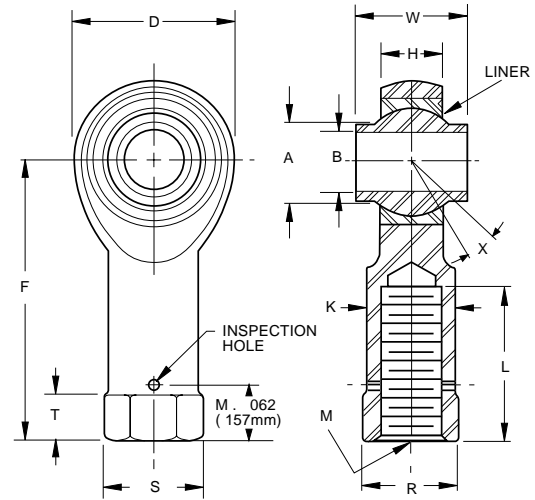


HIGH MISALIGNMENT SELF-LUBRICATED ROD END BEARINGS

- Female type, rod end
- Material: Ball: CRES 440C, Heat treated
Race: CRES 17-4PH, Heat treated
Rod end body: CRES 17-4PH, Heat treated
- Liner: Fibriloid® or “E” Uniflon® qualified to AS81820
- Rolled threads conform to UNJ-3B. For rod ends with left hand thread add “L” or “1” depending on part number ordered. Example: see below
- For rod ends with slotted shank or “keyway” add “K” or “1”
Example: see below



SPECIFICATIONS AND ORDERING INFORMATION

DIMENSIONS – TOLERANCES

PART NUMBERS FSSE xxH 02-827 Dash No. Dash No.	B		D		L		F		W		H		A	S	K	T	R	M	X°					
	+0.000, -0.0005		±.010		±.060		±.010		+0.000, -0.005		±.005		REF.	Max.	±.010	+0.010, -.062	+0.000, -.005	UNF-3B	REF.					
	+0.00, -0.013		+0.25		±1.52		±0.25		+0.00, -.13		±0.13				±0.25	+0.25, -1.57	+0.0, -.13							
	in.	mm	in.	mm	in.	mm	in.	mm	in.	mm	in.	mm	in.	mm	in.	mm	in.	mm						
03H -03	.1900	4.826	.781	19.84	.750	19.05	1.625	41.28	.560	14.22	.337	8.56	.301	7.65	.562	14.27	.250	6.35	.515	13.08	5/16-24	16		
03HA -03A	.1900	4.826	.750	19.05	.750	19.05	1.375	34.93	.500	12.70	.220	5.59	.319	8.10	.500	12.70	.437	11.10	.250	6.35	.452	11.48	5/16-24	15
04H -04	.2500	6.350	1.000	25.40	.937	23.80	1.625	41.28	.593	15.06	.265	6.73	.390	9.91	.625	15.86	.562	14.27	.250	6.35	.577	14.66	5/16-24	23
05H -05	.3125	7.938	1.125	28.58	1.062	26.97	1.812	46.02	.813	20.65	.355	8.89	.512	13.00	.688	17.48	.625	15.88	.250	6.35	.640	16.26	5/16-24	23
05HA -05A	.3125	7.938	.875	22.23	.750	19.05	1.375	34.93	.625	15.88	.265	6.73	.418	10.62	.500	12.70	.437	11.10	.250	6.35	.452	11.48	5/16-24	16
06H -06	.3750	9.525	1.125	28.58	1.062	26.97	1.812	46.02	.813	20.65	.355	8.89	.512	13.00	.688	17.48	.625	15.88	.250	6.35	.640	16.26	5/16-24	23
07H -07	.4375	11.112	1.312	33.32	1.125	28.58	2.125	53.98	.875	22.23	.355	8.89	.618	15.70	.812	20.62	.750	19.05	.250	6.35	.765	19.43	7/16-20	22
08H -08	.5000	12.700	1.500	38.10	1.500	38.10	2.625	66.68	.937	23.80	.411	10.44	.730	18.54	.938	23.83	.875	22.23	.375	9.53	.890	22.87	1/2-20	20
10H -10	.6250	15.875	1.750	44.45	1.750	44.45	2.875	73.03	1.200	30.48	.577	14.66	.856	21.74	1.125	28.58	1.000	25.40	.375	9.53	1.015	25.78	5/8-18	20
12H -12	.7500	19.050	2.000	50.80	1.875	47.63	3.375	85.73	1.280	32.51	.630	16.00	.970	24.64	1.250	31.75	1.125	28.58	.500	12.70	1.140	28.96	3/4-16	18
14H -14	.8750	22.225	2.200	55.88	2.000	50.80	3.750	95.25	1.400	35.56	.635	16.13	1.140	28.96	1.250	31.75	1.125	28.58	.500	12.70	1.140	28.96	7/8-14	18
16H -16	1.0000	25.400	2.725	69.85	2.125	53.98	4.125	104.78	1.875	47.63	.845	21.46	1.278	32.46	1.813	46.05	1.688	42.88	.562	14.30	1.703	43.26	1 1/4-12	21
20H -20	1.2500	31.750	3.125	79.38	3.125	79.38	5.000	127.00	1.875	47.63	1.015	25.78	1.523	38.68	1.813	46.05	1.688	42.88	.562	14.30	1.703	43.26	1 1/4-12	21

LOAD RATINGS

PART NUMBERS FSSE xxH 02-827 Dash No. Dash No.	Static Radial Limit Load		Weight Approx.		No Load Rational Breakaway Torque	
	lbf.	N	lbs.	kg	in.-lbs.	Nm
03H -03	4060 ⁽¹⁾	18059	.08	0.04	0.5 - 6	0.06 - 0.68
03HA -03A	4060 ⁽¹⁾	18059	.06	0.03	0.5 - 6	0.06 - 0.68
04H -04	7040 ⁽¹⁾	31314	.11	0.05	1 - 15	0.11 - 1.70
05H -05	8260	36874	.18	0.08	1 - 15	0.11 - 1.70
05HA -05A	5300	23574	.10	0.05	1 - 15	0.11 - 1.70
06H -06	8260	36740	.17	0.08	1 - 15	0.11 - 1.70
07H -07	12420	55244	.26	0.12	1 - 15	0.11 - 1.70
08H -08	17430	77529	.40	0.18	1 - 15	0.11 - 1.70
10H -10	23620	105062	.63	0.29	1 - 15	0.11 - 1.70
12H -12	30550	135886	.87	0.39	1 - 24	0.11 - 2.71
14H -14	31970	142203	1.01	0.46	1 - 24	0.11 - 2.71
16H -16	59510	264700	2.31	1.05	1 - 24	0.11 - 2.71
20H -20	70060	313869	3.15	1.43	1 - 24	0.11 - 2.71

⁽¹⁾ Based on pin limitation.

Notes: Available with lubricators, solid film lubricant and lubrication holes and groove in ball.

Please see engineering section or contact RBC Aerospace Bearings.

Bearing configuration	Part number designations for a 0.2500 in. bore rod end	
Base P/N (no options)	FSSE04H	02-827-04
Keyway on threads	FSSEK04H	02-827-041
Left hand thread	FSSEL04H	12-827-04