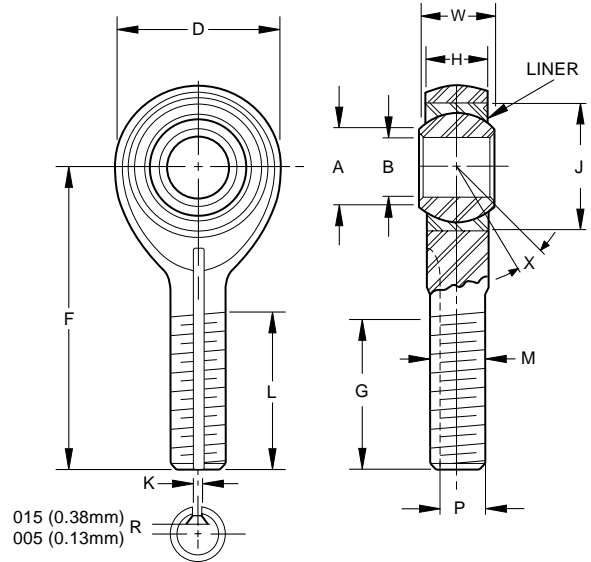


HIGH TEMPERATURE SELF-LUBRICATED ROD END BEARINGS

- Male type, rod end
- High temperature — low wear
-65°F to +500°F (-53.9°C to +301°C)
- Material
Bearing inner ring: Cobalt Base Alloy with proprietary coating
Bearing outer ring: A-286 race
Rod end housing: CRES 17-4PH
- Liner: Fabroid® X
- Rolled threads conform to UNJF-3A per AS8879
For rod ends with left hand thread add “1”
Example: 11-450-06
- For rod ends with slotted shank or “keyway” add “1”
Example: 11-450-06
- For both keyway and left hand thread, combine options as shown below. Example: 11-450-061



015 (0.38mm) R
005 (0.13mm)

SPECIFICATIONS AND ORDERING INFORMATION

DIMENSIONS — TOLERANCES

PART NUMBER	B		D		L		F		W		H		A	J		G ¹⁾		K ⁽¹⁾		P ⁽¹⁾		M	X ^o	
	in.	mm	in.	mm	in.	mm	in.	mm	in.	mm	in.	mm		Min.	Max.	in.	mm	in.	mm	in.	mm	UNJF-3A PER AS8879	Min.	
01-450-03	.1900	4.826	.806	20.47	.968	24.59	1.562	39.67	.437	11.10	.337	8.56	.30	7.6	.6250	15.875	.980	24.89	.062	1.57	.268	6.81	5/16-24	15
01-450-04	.2500	6.350	.806	20.47	.968	24.59	1.562	39.67	.437	11.10	.337	8.56	.30	7.6	.6250	15.875	.980	24.89	.062	1.57	.268	6.81	5/16-24	15
01-450-05	.3125	7.938	.900	22.86	1.187	30.15	1.875	47.62	.437	11.10	.327	8.31	.36	9.1	.6875	17.462	1.270	32.26	.062	1.57	.268	6.81	5/16-24	14
01-450-06	.3750	9.525	1.025	26.04	1.187	30.15	1.938	49.23	.500	12.70	.416	10.57	.47	11.9	.8125	20.638	1.235	31.37	.093	2.36	.319	8.10	3/8-24	8
01-450-07	.4375	11.112	1.150	29.21	1.281	32.54	2.125	53.98	.562	14.27	.452	11.48	.54	13.7	.9062	23.017	1.402	35.61	.093	2.36	.383	9.73	7/16-20	10
01-450-08	.5000	12.700	1.337	33.96	1.468	37.29	2.438	61.93	.625	15.88	.515	13.08	.61	15.5	1.0000	25.400	1.589	40.36	.093	2.36	.445	11.30	1/2-20	9
01-450-10	.6250	15.875	1.525	38.74	1.562	39.67	2.625	66.68	.750	19.05	.577	14.66	.75	19.1	1.1875	30.162	1.683	42.75	.125	3.18	.541	13.74	5/8-18	12
01-450-12	.7500	19.050	1.775	45.08	1.687	42.85	2.875	73.02	.875	22.22	.640	16.26	.85	21.6	1.3750	34.925	1.808	45.92	.125	3.18	.663	16.84	3/4-16	13
01-450-14	.8750	22.225	2.025	51.44	2.000	50.80	3.375	85.72	.875	22.22	.765	19.43	1.061	26.95	1.6250	41.275	2.121	53.87	.156	3.96	.777	19.74	7/8-14	6
01-450-16	1.0000	25.400	2.775	70.48	2.343	59.51	4.125	104.78	1.375	34.92	1.015	25.78	1.27	32.3	2.1250	53.975	2.464	62.59	.187	4.75	1.136	28.85	1 1/4-12	12

⁽¹⁾Keyway when specified, is compatible with locking devices, AS81935/3 for sizes 3 thru 8, and NAS559 for sizes 10 thru 16.
Keyway tolerances not specified shall be in accordance with AS81935/3 or NAS513 as applicable.

LOAD RATINGS

PART NUMBER	Ultimate Static Load		Fatigue Load		Axial Proof Load		Weight		No Load Rational Breakaway Torque			
	lb.	N	lb.	N	lb.	N	lbs.	kg	Min.		Max.	
01-450-03							0.042	0.019	.5	.06	6	.68
01-450-04							0.042	0.019	.5	.06	6	.68
01-450-05							0.050	0.023	.5	.06	6	.68
01-450-06							0.079	0.035	1	.11	15	1.70
01-450-07							0.106	0.048	1	.11	15	1.70
01-450-08							0.161	0.072	1	.11	15	1.70
01-450-10							0.245	0.110	1	.11	15	1.70
01-450-12							0.369	0.166	1	.11	15	1.70
01-450-14							0.557	0.250	1	.11	24	2.71
01-450-16							1.472	0.662	1	.11	24	2.71

Please contact the RBC Engineering Support Team for specific load information or to customize a high temperature product for your particular needs.

Bearing configuration	Part number designations for a 0.2500 in. bore rod end
Base P/N (no options)	01-450-04
Keyway on threads	01-450-041
Left hand thread	11-450-04

