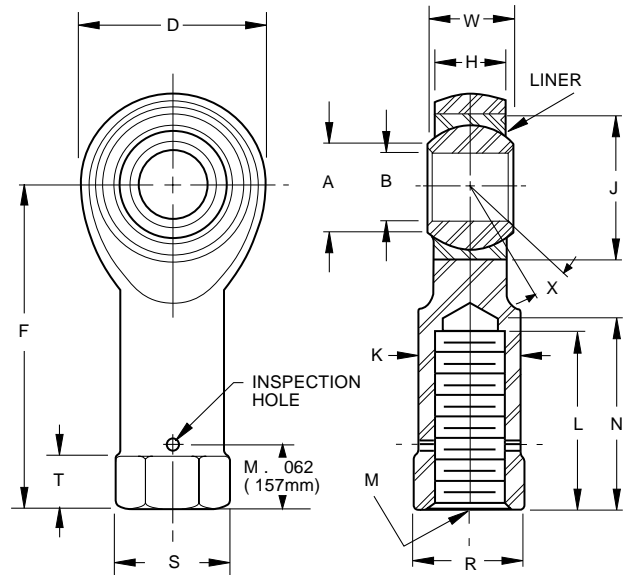


HIGH TEMPERATURE SELF-LUBRICATED ROD END BEARINGS

- Female type, rod end
- High temperature — low wear
-65°F to +500°F (-53.9°C to +301°C)
- Material: Bearing inner ring: Cobalt Base Alloy with proprietary coating
Bearing outer ring: A-286 race
Rod end housing: CRES 17-4PH
- Liner: Fabroid® X
- Rolled threads conform to UNJF-3B per AS8879
For rod ends with left hand thread add “1”
Example: 11-450-06
- For rod ends with slotted shank or “keyway” add “1”
Example: 01-450-06
- For both keyway and left hand thread, combine options as shown below Example: 11-450-061



SPECIFICATIONS AND ORDERING INFORMATION

DIMENSIONS — TOLERANCES

PART NUMBER	B		D		L ⁽¹⁾		F		K		W		H		A	J		N	S ⁽²⁾	T	R ⁽¹⁾		M	X°				
	in.	mm	in.	mm	in.	mm	in.	mm	in.	mm	in.	mm	in.	mm		in.	mm				in.	mm			in.	mm	UNJF-3B PER AS8879	Min.
	+0.000,-.0005		±010				±010		±010		+0.000,-.002		±005								+0.010,-.062	+0.002,-.010						
	+0.00,-.013		+25		Min.		+25		+25		+0.00,-.05		+13		Min.	Max.	Max.	Ref.		+25,-1.57	+05,-.25							
02-450-03	.1900	4.826	.806	20.47	.750	19.05	1.375	34.92	.422	10.72	.437	11.10	.337	8.56	.30	7.6	.6250	15.875	.875	22.22	.500	12.70	.188	4.78	.437	11.10	5/16-24	15
02-450-04	.2500	6.350	.806	20.47	.750	19.05	1.469	37.31	.422	10.72	.437	11.10	.337	8.56	.30	7.6	.6250	15.875	.875	22.22	.500	12.70	.188	4.78	.437	11.10	5/16-24	15
02-450-05	.3125	7.938	.900	22.86	.875	22.22	1.625	41.28	.485	12.32	.437	11.10	.327	8.31	.36	9.1	.6875	17.462	1.000	25.40	.580	14.73	.250	6.35	.500	12.70	3/8-24	14
02-450-06	.3750	9.525	1.025	26.04	1.000	25.40	1.812	46.02	.547	13.89	.500	12.70	.416	10.57	.47	11.9	.8125	20.638	1.125	28.58	.660	16.76	.250	6.35	.562	14.27	3/8-24	8
02-450-07	.4375	11.112	1.150	29.21	1.125	28.58	2.000	50.80	.610	15.49	.562	14.27	.452	11.48	.54	13.7	.9062	23.017	1.250	31.75	.720	18.29	.250	6.35	.625	15.88	7/16-20	10
02-450-08	.5000	12.700	1.337	33.96	1.250	31.75	2.250	57.15	.735	18.67	.625	15.88	.515	13.08	.61	15.5	1.0000	25.400	1.375	34.92	.880	22.35	.250	6.35	.750	19.05	1/2-20	9
02-450-10	.6250	15.875	1.525	38.74	1.375	34.92	2.500	63.50	.860	21.84	.750	19.05	.577	14.66	.75	19.1	1.1875	30.162	1.500	38.10	1.020	25.91	.375	9.52	.875	22.22	5/8-18	12

⁽¹⁾Completed thread.

⁽²⁾Measured across corners or diameter.

LOAD RATINGS

PART NUMBER	Ultimate Static Load		Fatigue Load		Axial Proof Load		Weight		No Load Rational Breakaway Torque			
	lbf.	N	lbf.	N	lbf.	N	lbs.	kg	Min.		Max.	
02-450-03							0.042	0.019	.5	.06	6	.68
02-450-04							0.042	0.019	.5	.06	6	.68
02-450-05							0.050	0.023	.5	.06	6	.68
02-450-06							0.079	0.035	1	.11	15	1.70
02-450-07							0.106	0.048	1	.11	15	1.70
02-450-08							0.161	0.072	1	.11	15	1.70
02-450-10							0.245	0.110	1	.11	15	1.70

Please contact the RBC Engineering Support Team for specific load information or to customize a high temperature product for your particular needs.

Bearing configuration	Part number designations for a 0.2500 in. bore rod end
Base P/N (no options)	02-450-04
Keyway on threads	02-450-041
Left hand thread	12-450-04