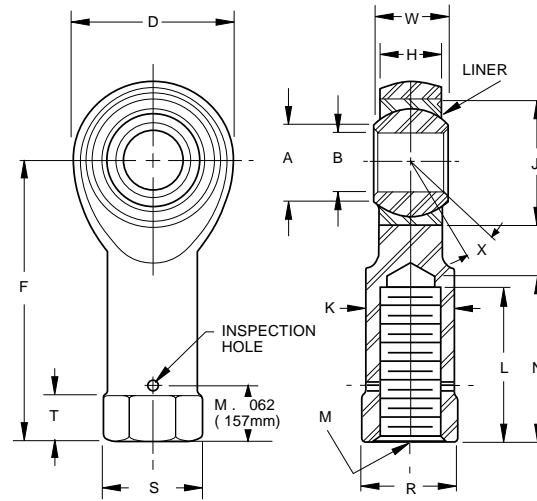


## LIGHTWEIGHT TITANIUM SELF-LUBRICATED ROD END BEARINGS

- Female type, rod end
- High temperature — low wear  
-65°F to +325°F (-53.9°C to +162.8°C)
- Material  
Bearing inner ring: Titanium 6Al-4V, proprietary coating  
Bearing outer ring: Titanium 6Al-4V  
Rod end housing: Titanium 6Al-4V, proprietary coating
- Liner: Fibriloid® qualified to AS81820
- Rolled threads conform to UNJF-3A per MIL-S-8879.  
For rod ends with left hand thread add “1”  
Example: 12-850-06
- For rod ends with slotted shank or “keyway” add “1”  
Example: 02-850-061
- For both keyway and left hand thread, combine options as shown below. Example: 12-850-061



## SPECIFICATIONS AND ORDERING INFORMATION

### DIMENSIONS — TOLERANCES

PART NUMBER	B		D		L <sup>(1)</sup>		F		K		W		H		A		J		N		S <sup>(2)</sup>		T		R <sup>(3)</sup>		M UNJF-3B PER MIL-S-8879	X° Min.
	in.	mm	in.	mm	in.	mm	in.	mm	in.	mm	in.	mm	in.	mm	in.	mm	in.	mm	in.	mm	in.	mm	in.	mm	in.	mm		
02-850-03	.1900	4.826	.806	20.47	.750	19.05	1.375	34.92	.422	10.72	.437	11.10	.337	8.56	.30	7.6	.6250	15.875	.875	22.22	.500	12.70	.188	4.78	.437	11.10	5/16-24	15
02-850-04	.2500	6.350	.806	20.47	.750	19.05	1.469	37.31	.422	10.72	.437	11.10	.337	8.56	.30	7.6	.6250	15.875	.875	22.22	.500	12.70	.188	4.78	.437	11.10	5/16-24	15
02-850-05	.3125	7.938	.900	22.86	.875	22.22	1.625	41.28	.485	12.32	.437	11.10	.327	8.31	.36	9.1	.6875	17.462	1.000	25.40	.580	14.73	.250	6.35	.500	12.70	3/8-24	14
02-850-06	.3750	9.525	1.025	26.04	1.000	25.40	1.812	46.02	.547	13.89	.500	12.70	.416	10.57	.47	11.9	.8125	20.638	1.125	28.58	.660	16.76	.250	6.35	.562	14.27	3/16-24	8
02-850-07	.4375	11.112	1.150	29.21	1.125	28.58	2.000	50.80	.610	15.49	.562	14.27	.452	11.48	.54	13.7	.9062	23.017	1.250	31.75	.720	18.29	.250	6.35	.625	15.88	7/16-20	10
02-850-08	.5000	12.700	1.337	33.96	1.250	31.75	2.250	57.15	.735	18.67	.625	15.88	.515	13.08	.61	15.5	1.0000	25.400	1.375	34.92	.880	22.35	.250	6.35	.750	19.05	1/2-20	9
02-850-10	.6250	15.875	1.525	38.74	1.375	34.92	2.500	63.50	.860	21.84	.750	19.05	.577	14.66	.75	19.1	1.1875	30.162	1.500	38.10	1.020	25.91	.375	9.52	.875	22.22	5/8-18	12

<sup>(1)</sup>Completed thread. <sup>(2)</sup>Measured across corners or diameter. <sup>(3)</sup>Measured across flats.

### LOAD RATINGS

PART NUMBER	Ultimate Static Load		Fatigue Load		Axial Proof Load		Weight		No Load Rational Breakaway Torque			
	lb.	N	lb.	N	lb.	N	lbs.	kg	Min.		Max.	
02-850-03							0.042	0.019	.5	.06	6	.68
02-850-04							0.042	0.019	.5	.06	6	.68
02-850-05							0.050	0.023	1	.11	15	1.70
02-850-06							0.079	0.035	1	.11	15	1.70
02-850-07							0.106	0.048	1	.11	15	1.70
02-850-08							0.161	0.072	1	.11	15	1.70
02-850-10							0.245	0.110	1	.11	15	1.70

Please contact the RBC Engineering Support Team for specific load information or to customize a high performing lightweight product for your particular needs.

Bearing configuration	Part number designations for a 0.2500 in. bore rod end
Base P/N (no options)	02-850-04
Keyway on threads	02-850-041
Left hand thread	12-850-04