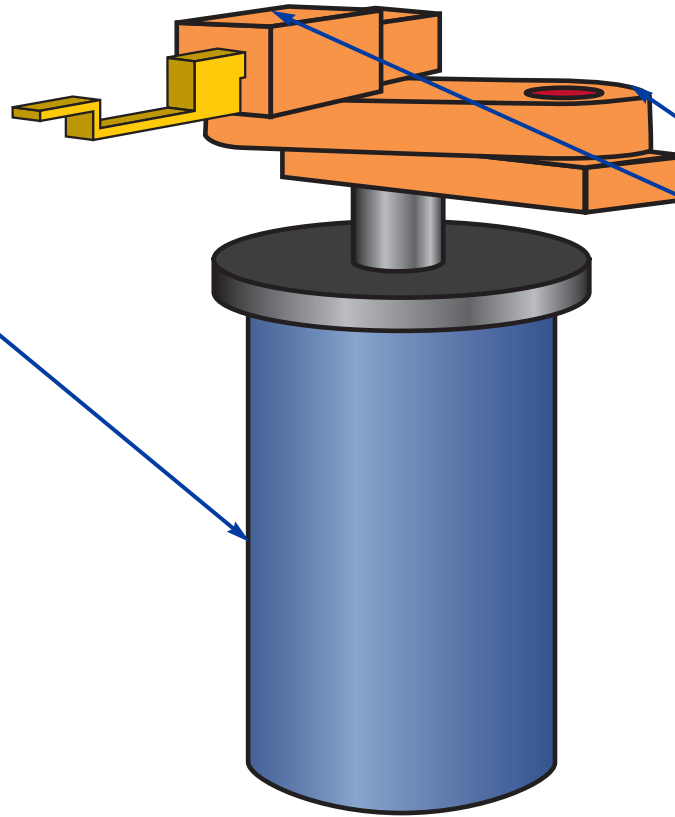


Semiconductor Wafer Handling Robot



Thin Section
Ball Bearings for
Robot Waists



Integrated Assemblies
for Robot Wrists
and Elbows