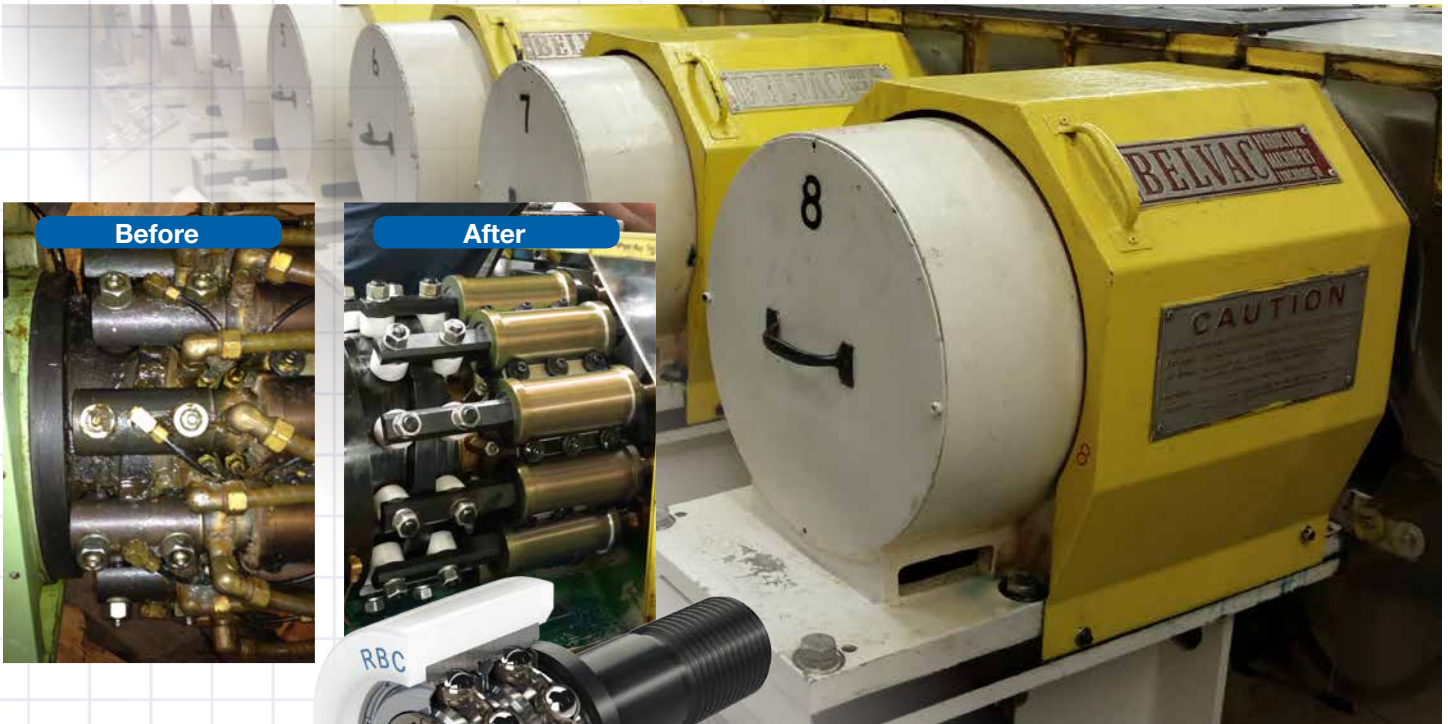


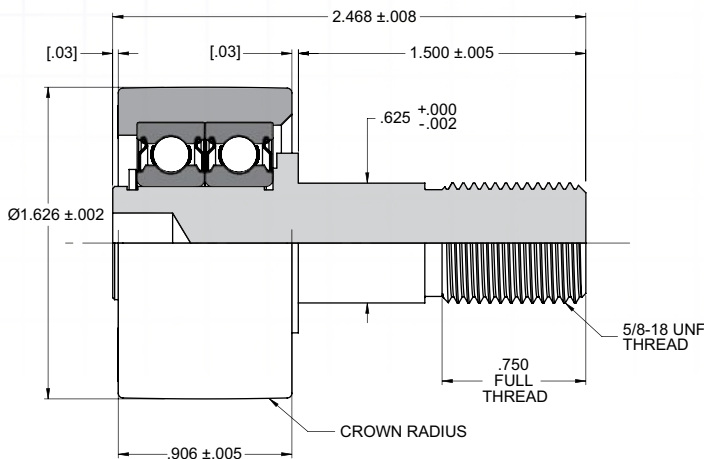
Cam Followers for Canmakers

High Performance Maintenance-Free Cam Followers for Belvac™ Neckers



**PATENT
PENDING**

BCF 1-5/8 14 CT



Features:

- ✓ Precision Lubed-for-Life Ball Bearings
- ✓ Engineered Thermoplastic Outer Ring
- ✓ Hex Head for Easy Installation
- ✓ Drop-in replacement for needle roller cam follower (Belvac p/n 2700693)

Key Benefits:

- ✓ Eliminates the need to lubricate the bearings
 - No lube lines to necker rams
 - Reduces grease usage in the system
 - Reduces clean-up when changing rams or bearings
 - Reduces the risk of contamination of cans
- ✓ Eliminates metal to metal cam wear
- ✓ Reduced wear on cam follower OD
- ✓ Longer cam follower replacement interval
 - Estimated 2x life of standard necker bearing



Smoother. Faster. Longer.
Because That's How We Roll.

RBC Bearings® has been producing bearings in the USA since 1919. In addition to unique custom bearings, RBC Bearings® offers a full line of standard industrial and aerospace bearings, including:

Specialty Cam Followers and Bearings for Canmakers:



Necker Cam Followers for Belvac Can Neckers

RBC Roller® Cam Followers with two rows of cylindrical rollers offer superior life to Needle Roller Cam Followers.



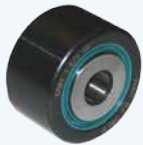
Spindle Disk Cam Followers for Rutherford Can Decorators

Precision Dual-Race, Roller Cam Followers for improved life.



Special Bearings for Ragsdale Body Makers

Special Combination Roller and Spherical Plain Bearings and Cam Followers for Ragsdale Body Makers.



Necker Yoke Rollers for ANC Can Neckers

RBC Roller® Yoke Rollers with two rows of cylindrical rollers offer superior life to Standard Needle Roller Yoke Rollers.



Spindle Disk Cam Followers for Concord Can Decorators

Precision Dual-Race, Roller Cam Followers for improved life. Available in versions for rotary and interposer trip systems.



Special Connecting Rod Bearings for Standun Body Makers

Special Spherical Plain Bearings with extended inner rings eliminate the need for spacers and simplify installation and removal.



Keyless Locking Devices

Mechanical bushings used to connect power transmission components onto rotating shafts. Without the use of keyways, KLDs eliminate the problems associated with backlash including fretting, corroding, and wallowing.



Needle Roller Bearings

Pitchign® caged heavy duty needle roller bearings ideal for cross head bearings applications. These double row bearings are available in single row and TandemRoller® versions.



Self-Lubricating Bearings

Radial, thrust, rod ends, spherical bearings, high temperature, high loads. Available in inch and metric sizes. Fiberglide® self-lubricating bearings.



Rigid Couplings

Shaft couplings serve as components to time, join, or align shafts at lower speeds and torque, especially when zero backlash is desired. Made from mild steel with a black oxide finish type 303 stainless steel, or aluminum. Available in inch and metric sizes.



Tapered Roller Bearings

Single, double, & multi row versions available for main bearing positions in mud pumps, gear boxes, etc. Bearings are constructed of case hardened steel washers and rollers with bore size of 1 1/2" or greater.



Commercial Rod Ends

Commercial and industrial, precision, Mil-Spec series, self-lubricating, and aircraft. Sold under the Heim®, Unibal®, and Spherco® names. Available in inch and metric sizes.



Thin Section Ball Bearings

Standard cross sections to one inch. Bore sizes to 40 inches. Stainless steel and other materials are available. Seals are available on all sizes and standard cross sections. Super duplex configurations.



Ball Bearings

Precision ground, semiground, unground. High loads, long life, smooth operation. Nice® branded products are offered in caged and full complement configurations.



Shaft Collars

Used to position or locate a component on a shaft. Made from mild steel, type 303 or 316 stainless steel, aluminum, or acetal. Available in inch and metric sizes.



Cam Followers

Standard stud, heavy stud, yoke type, caged roller followers. Patented RBC Roller® cylindrical roller cam followers, HexLube® universal cam followers, airframe track rollers.



Specials

RBC Bearings® manufactures many specialty bearings for the aerospace, oil and energy, semiconductor equipment, packaging, transportation, and other industries.