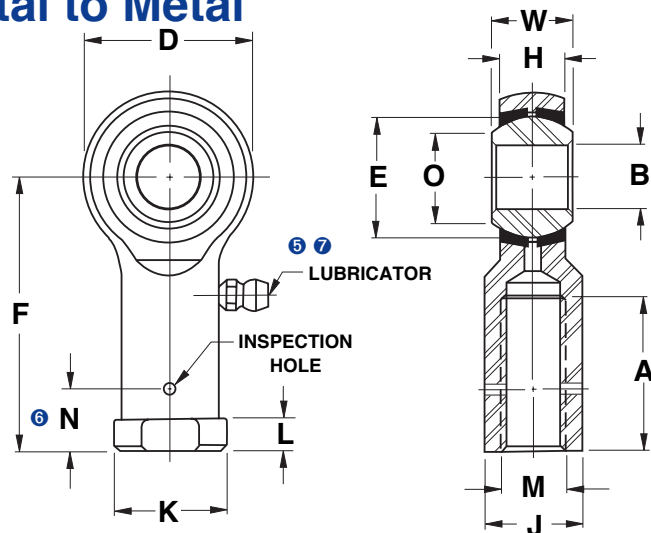


# Precision Extra Capacity Series

## Four Piece - Metal to Metal



### Series HFX G

ROD END NUMBER	DIMENSIONS IN INCHES													MAXIMUM STATIC RADIAL LOAD		APPROX WEIGHT LBS	
	BORE	BALL WIDTH	HOUSING WIDTH	HEAD DIAMETER	LENGTH TO CENTER OF BALL	THREAD LENGTH	THREAD SIZE	BALL DIAMETER	BALL FLAT DIAMETER	ACROSS WRENCH FLATS	OTHER DIMENSIONS				WITH LUBRICATOR		WITHOUT LUBRICATOR
	B	W	H	D	F	A	M	E	O	J	K	N ⑥	L	LBF	LBS		
	+0.015 - .0005	+0.000 - .005	+0.005 - .005	+0.010 - .010	+0.010 - .010	+0.062 - .031	UNF -3B	REF	REF	+0.010 - .010	+0.010 - .010	+0.020 - .020	+0.010 - .010				
HFX4G	.2500	.375	.281	.750	1.312	.750	.2500-28	.515	.355	.375	.468	.312	.187	3,260	6,680	.06	
HFX5G	.3125	.437	.344	.875	1.375	.750	.3125-24	.625	.447	.437	.500	.406	.187	4,920	8,410	.08	
HFX6G	.3750	.500	.406	1.000	1.625	.937	.3750-24	.718	.517	.562	.687	.469	.250	7,240	11,160	.14	
HFX7G	.4375	.562	.437	1.125	1.812	1.062	.4375-20	.812	.586	.625	.750	.531	.250	7,620	13,660	.18	
HFX8G	.5000	.625	.500	1.312	2.125	1.187	.5000-20	.937	.698	.750	.875	.594	.250	11,920	19,340	.29	
HFX10G	.6250	.750	.562	1.500	2.500	1.500	.6250-18	1.125	.839	.875	1.000	.750	.312	13,940	21,080	.43	
HFX12G	.7500	.875	.687	1.750	2.875	1.750	.7500-16	1.312	.978	1.000	1.125	.875	.312	21,570	29,800	.64	

**Outer Member:** 4130 or 4340 Alloy steel, heat treated, magnetic particle inspected, with protective coating for corrosion resistance

**Ball:** 52100 Alloy steel, heat treated, chrome plated

**Inserts:** Copper alloy

#### NOTES

- ① Add letter "L" to prefix to indicate Left Hand thread.  
Example: HFXL4G
- ② For design options, see page 31
- ③ For Engineering data, see pages 28 thru 30
- ④ "H" tolerance across inserts is +/-0.015
- ⑤ Lubricator standard on HFX G Series, optional on BHF Series
- ⑥ "N" dimension applies to HFX G Series only. There is no inspection hole in BHF Series
- ⑦ Delete letter "G" from suffix on HFX G Series to indicate no lubricator  
Example: HFX4

