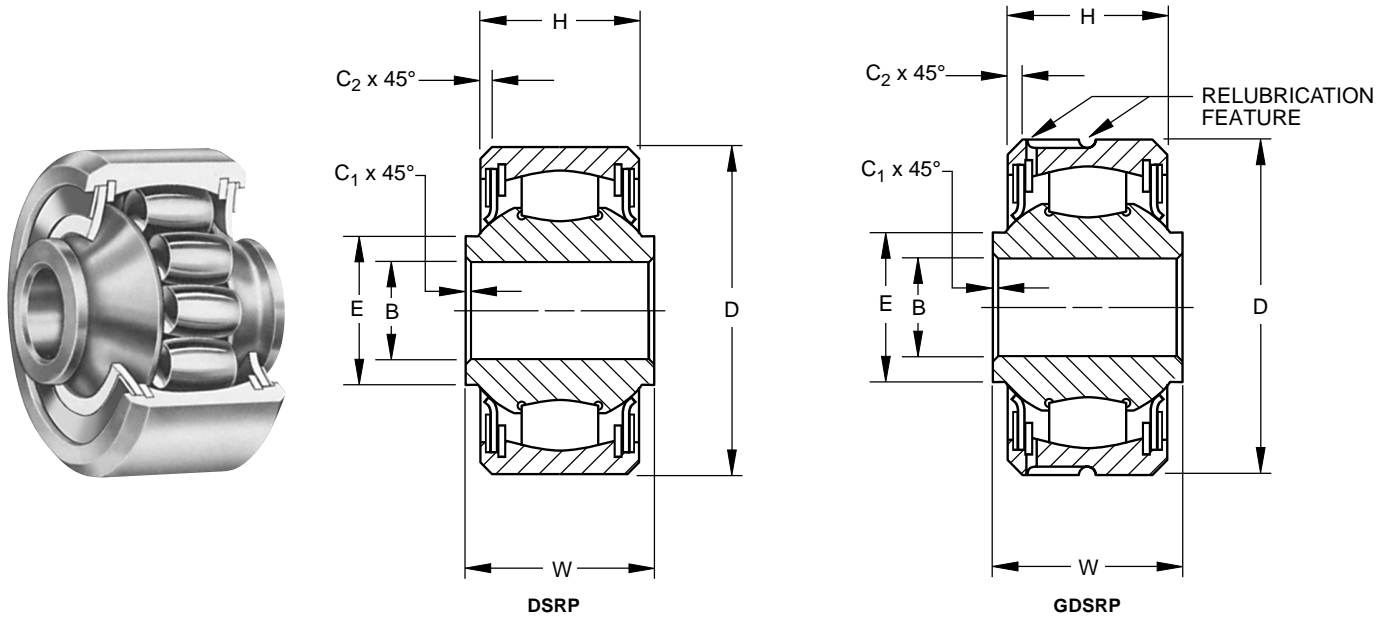


DSRP, GDSRP Series

- Self-aligning roller, heavy duty
- Exposed surfaces except bore, caps, and seals are cadmium plated
- Prelubricated for life
- The DSRP series is dimensionally interchangeable with the DSP series except the DSRP4 inner ring width and shoulder

- PTFE seals and CRES sealcaps
- The GDSRP series is dimensionally interchangeable with the DSRP series; however, it is relubricable through grooves and holes drilled outside of the bearing load zone, which permits access of lubricant to rollers and raceways
- Also offered with CRES 440C material and/or zinc nickel plating per OEM specifications

AIRFRAME CONTROL BALL BEARINGS



SPECIFICATIONS AND ORDERING INFORMATION

TO ORDER, SPECIFY BEARING NUMBER AND FACTORY SPECIFICATION. SEE TABLE 1 ON PG 8. (Example DSRP4 FS464)

| Bearing Number ⁽¹⁾ | | Bore B | | Outside Diameter D | | Widths | | | | E | C ₁ | C ₂ | Wt. | | Radial Limit Load Rating ⁽¹⁾ | | Thrust Limit Load Rating | | |
|-------------------------------|------------------------|------------------------------------|--------|------------------------------------|--------|--------------------------------|-------|--------------------------------|-------|---------|--------------------------------|--------------------------------|---------|------|---|-------|--------------------------|------|-------|
| DSRP Series | GDSRP Series | +0.0000, -0.0005 +0.000, -0.013 | | +0.0000, -0.0005 +0.000, -0.013 | | +0.000, -0.005 +0.00, -0.13 | | +0.000, -0.005 +0.00, -0.13 | | Approx. | +0.015, -0.000 +0.38, -0.00 | +0.015, -0.000 +0.38, -0.00 | Approx. | | | | | | |
| | | in. | mm | in. | mm | in. | mm | in. | mm | in. | mm | in. | mm | lbs. | kg | lbf. | N | lbf. | N |
| DSRP4 | GDSRP4 | 0.2500 | 6.350 | 0.9014 | 22.896 | 0.625 | 15.88 | 0.464 | 11.78 | 0.404 | 10.26 | 0.005 | 0.13 | 0.06 | 0.027 | 3025 | 13400 | 908 | 4040 |
| DSRP5 | GDSRP5 | 0.3125 | 7.938 | 1.2500 | 31.750 | 0.812 | 20.62 | 0.656 | 16.66 | 0.515 | 13.08 | 0.015 | 0.38 | 0.16 | 0.073 | 7350 | 32700 | 2200 | 9800 |
| DSRP6 | GDSRP6 | 0.3750 | 9.525 | 1.4375 | 36.512 | 0.937 | 23.80 | 0.750 | 19.05 | 0.564 | 14.33 | 0.015 | 0.38 | 0.24 | 0.109 | 9600 | 42700 | 2880 | 12800 |
| DSRP8 | GDSRP8 | 0.5000 | 12.700 | 1.6875 | 42.862 | 1.000 | 25.40 | 0.812 | 20.62 | 0.775 | 19.68 | 0.015 | 0.38 | 0.36 | 0.163 | 12500 | 55600 | 3750 | 16700 |
| *DSRP10 | GDSRP10 ⁽²⁾ | 0.6250 | 15.875 | 1.9375 | 49.212 | 1.125 | 28.58 | 0.937 | 23.80 | 0.869 | 22.07 | 0.015 | 0.38 | 0.55 | 0.249 | 17700 | 78700 | 5310 | 23600 |
| *DSRP12 | GDSRP12 ⁽²⁾ | 0.7500 | 19.050 | 2.3750 | 60.325 | 1.312 | 33.32 | 1.125 | 28.58 | 1.150 | 29.21 | 0.015 | 0.38 | 1.05 | 0.476 | 26900 | 120000 | 8070 | 35900 |

⁽¹⁾ These bearings are self-aligning for 10° in either direction.

⁽²⁾ Will be made as demand justifies tooling.

* Check for availability.