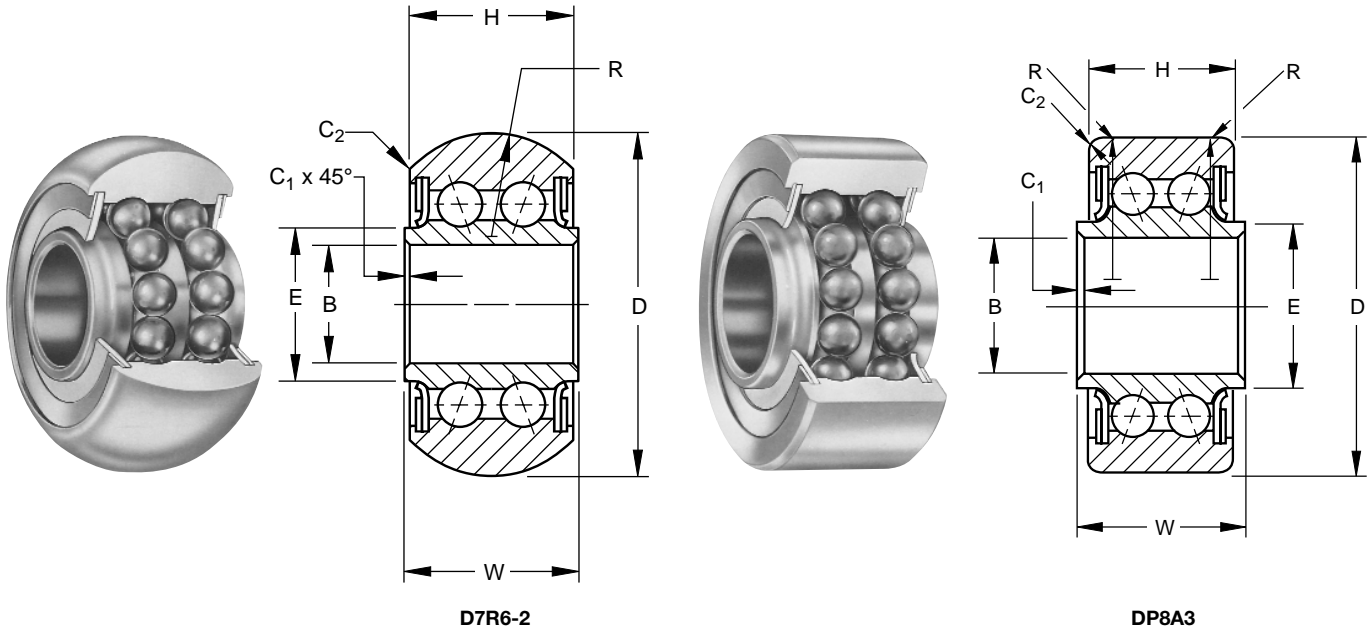


D Series

- Double row, ball
- PTFE seals and CRES sealcaps
- Exposed surfaces except bore, caps, and seals are cadmium plated
- Prelubricated for life with MIL-PRF-23827 grease



AIRFRAME CONTROL BALL BEARINGS

SPECIFICATIONS AND ORDERING INFORMATION

TO ORDER, SPECIFY BEARING NUMBER AND FACTORY SPECIFICATION PER BELOW. (Example D7R6-2 FS160)

Bearing Number	Bore B		Outside Diameter D		Widths				E	C ₁		C ₂		R		Max. Safe Working Load Radial ⁽¹⁾	Wt. Approx.			
	+0.0000, -0.0005 +0.000, -0.013				+0.000, -0.005 +0.00, -0.13		+0.000, -0.005 +0.00, -0.13			+0.015-0.000 +0.38, -0.00		(Ref.)								
	in.	mm	in.	mm	in.	mm	in.	mm	in.	mm	in.	mm	in.	mm	lb.	N	lbs.	kg		
D7R6-2 FS160	0.4375	11.112	1.250	31.75	0.625	15.88	0.600	15.24	0.566	14.38	0.005 ⁽²⁾	0.13 ⁽²⁾	0.05	1.27	0.375	9.52	1000	4400	0.12	.055
			1.240	31.50			0.590	14.99							0.365	9.27				
DP8A3 FS160	0.5000	12.70	1.225	31.12	0.625	15.88	0.527	13.39	0.610	15.49	0.005 ⁽²⁾	0.13 ⁽²⁾	.050	1.27	.515 ⁽³⁾	13.08	1000	4400	0.11	0.050
			1.220	30.99									.030	0.76	.485 ⁽³⁾	12.32				

⁽¹⁾ The maximum working radial load to obtain 100,000 ft. (30,500m) peripheral travel life.
⁽²⁾ +.010 in. (+.25mm) -.000 in. (-.00mm).
⁽³⁾ Centerline of radius located .090 in. (2.29mm) to .120 in. (3.05mm) from faces of outer ring.
 * Check for availability.