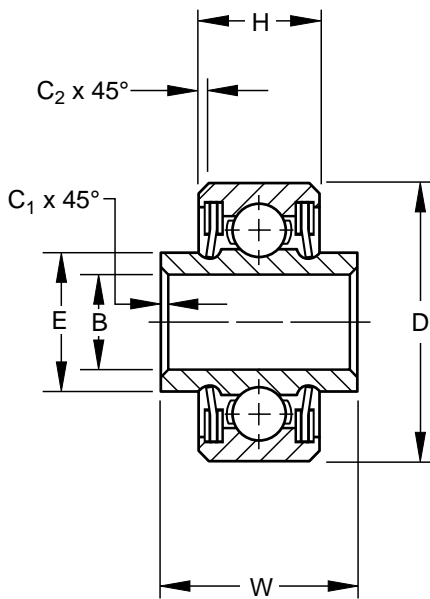


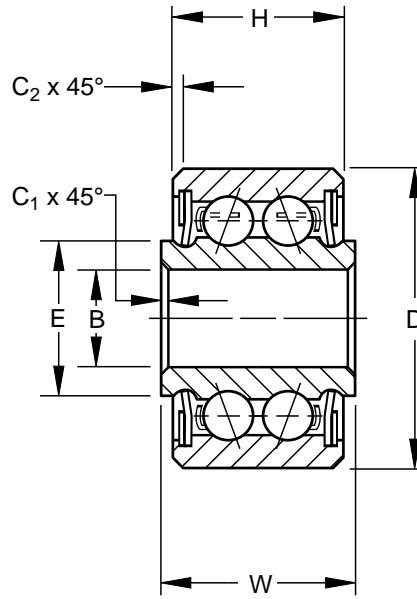
P Series

- PTFE seals and CRES sealcaps
- Exposed surfaces except bore, caps, and seals are cadmium plated

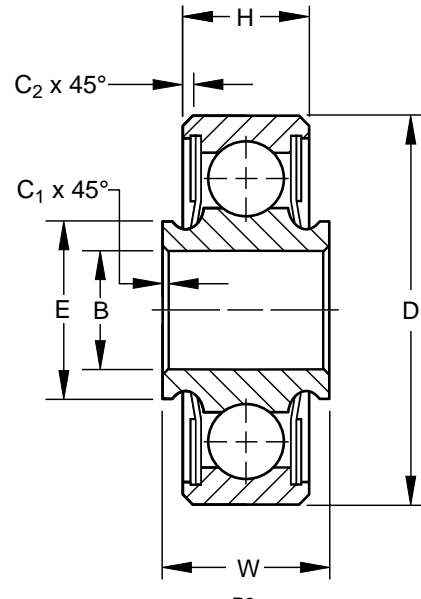
- Prelubricated for life
- Retainer type (except P8)
- For MIL-P-7034 pulleys



P4K, P5K, P10K



PD5K



P8

AIRFRAME CONTROL BALL BEARINGS

SPECIFICATIONS AND ORDERING INFORMATION

TO ORDER, SPECIFY BEARING NUMBER AND FACTORY SPECIFICATION. SEE TABLE 1 ON PG 8. (Example P4K FS464)

Bearing Number	Bore B		Outside Diameter D		Widths				E	C ₁		C ₂		Wt.		Radial Limit Load Rating	Thrust Limit Load Rating			
					W		H							Approx.						
	+0.0000, -0.0005 +0.000, -0.013		+0.0000, -0.0005 +0.000, -0.013		+0.000, -0.005 +0.00, -0.13		+0.000, -0.005 +0.00, -0.13		Approx.	+0.015, -0.000 +0.38, -0.00		+0.015, -0.000 +0.38, -0.00		lbs.	kg	lbf.	N	lbf.	N	
	in.	mm	in.	mm	in.	mm	in.	mm	in.	mm	in.	mm	in.	mm	lbs.	kg	lbf.	N	lbf.	N
P4K	0.2500	6.350	0.8750	22.225	0.438	11.13	0.375	9.52	0.423	10.74	0.005	0.13	0.022	0.56	0.04	0.018	1710	7600	800	3550
P5K	0.3125	7.938	0.8750	22.225	0.625	15.88	0.375	9.52	0.455	11.56	0.005	0.13	0.022	0.56	0.04	0.018	1710	7600	800	3550
PD5K	0.3125	7.938	0.9375	23.812	0.625	15.88	0.563	14.30	0.455	11.56	0.005	0.13	0.022	0.56	0.07	0.032	3420	15200	1030	4600
P8 ⁽¹⁾	0.5000	12.700	1.6875	42.862	0.750	19.05	0.563	14.30	0.768	19.51	0.005	0.13	0.032	0.81	0.24	0.109	11800	52500	5200	23200
P10K	0.6250	15.875	1.1875	30.162	0.438	11.13	0.375	9.52	0.769	19.53	0.005	0.13	0.022	0.56	0.06	0.027	2440	10800	1100	4900

⁽¹⁾ Full type — No retainer.

Note: Although the P Series bearings are designed for use in pulleys, they are well suited for use in other airframe applications.